

DESIGNED TO SUPPORT BUILT TO PERFORM

TABLE OF CONTENTS

| | |
|-----------------------------------|----|
| ● ABOUT US | 3 |
| ● RACKING SYSTEMS | |
| • Racking system components | 5 |
| • selective Pallet racking system | 8 |
| • VNA racking system | 10 |
| • Drive-In racking system | 12 |
| • Satellite shuttle system | 14 |
| • Mezzanine | 16 |
| • Cantilever racking system | 18 |
| • Mobile pallet racking | 20 |
| • Self support system | 22 |
| • Double deep | 24 |
| • Steel Pallet | 25 |
| ● ADMINISTRATION | |
| • Shelving units | 26 |
| • Slotted Angle | 27 |
| • long span | 28 |
| • Lockers | 29 |
| ● SOME OF OUR PROJECTS | 30 |
| ● OUR ACCREDITED CERTIFICATES | 31 |

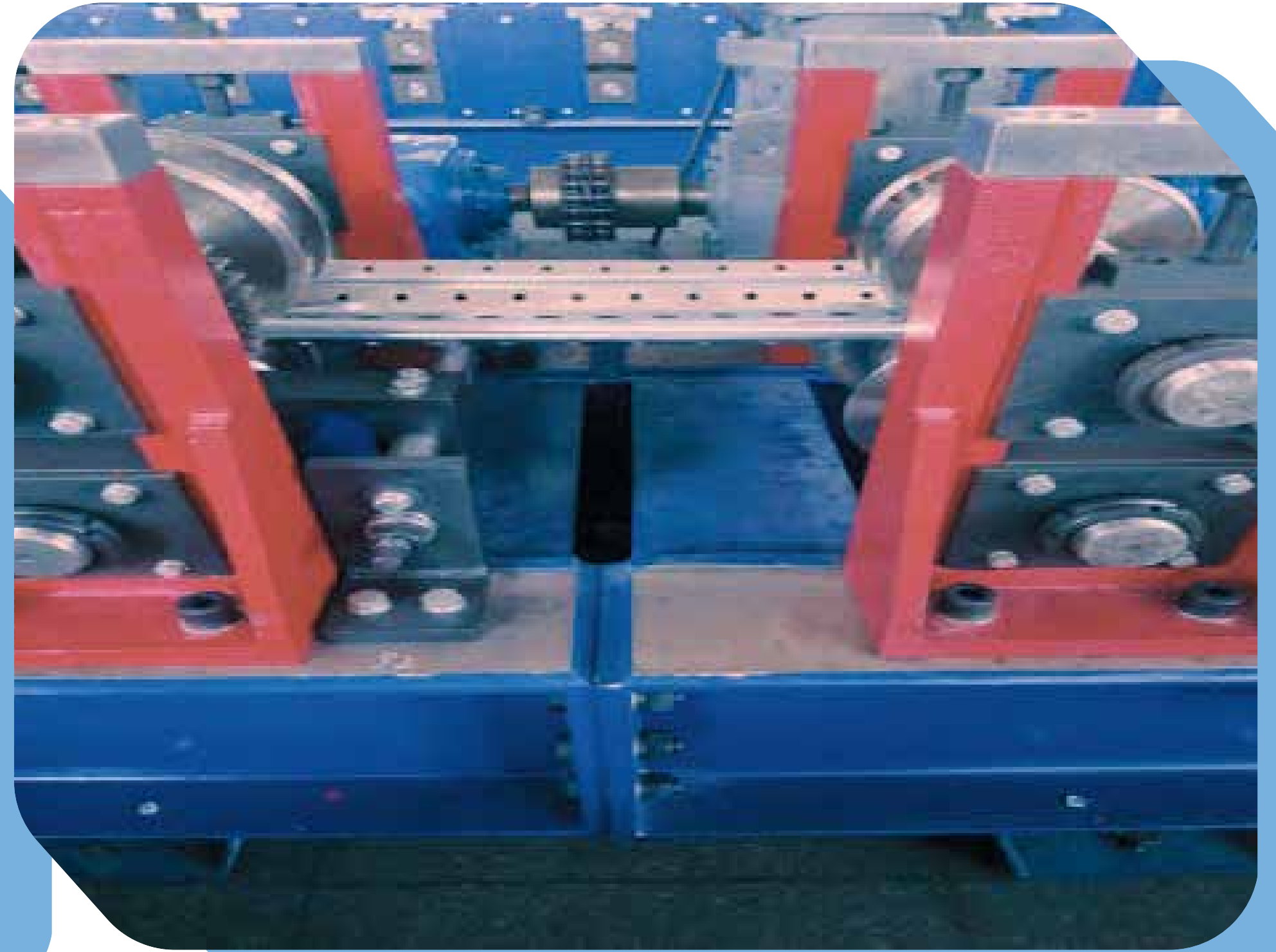
ABOUT US

Who We Are ?

HYDRO MECHANICAL specializes in high-quality storage systems serving Egypt, the Middle East, Africa, and North America. Through our strong UK partnership, we uphold the highest manufacturing and quality standards in compliance with Egyptian and British regulations. We provide a wide range of shelving and racking solutions for light, medium, and heavy loads, tailored to meet each client's specific needs, with complete services from design to after-sales support.



ABOUT US



Mission

We provide innovative storage solutions that exceed customer expectations.

We tailor our offerings to meet evolving needs and unique challenges.

Our mission is to empower businesses with efficient, reliable, and scalable storage systems.

Vision

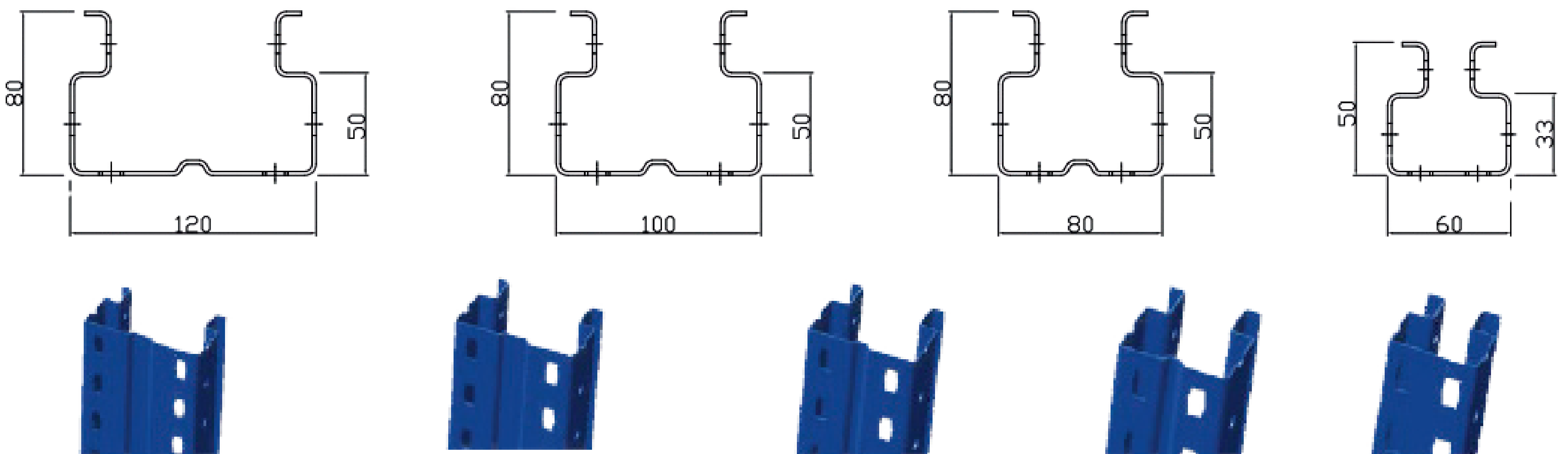
We aim to strengthen our leadership locally and regionally while expanding globally.

We are committed to driving innovation in storage solutions. Our goal is to contribute to the growth of the industry.

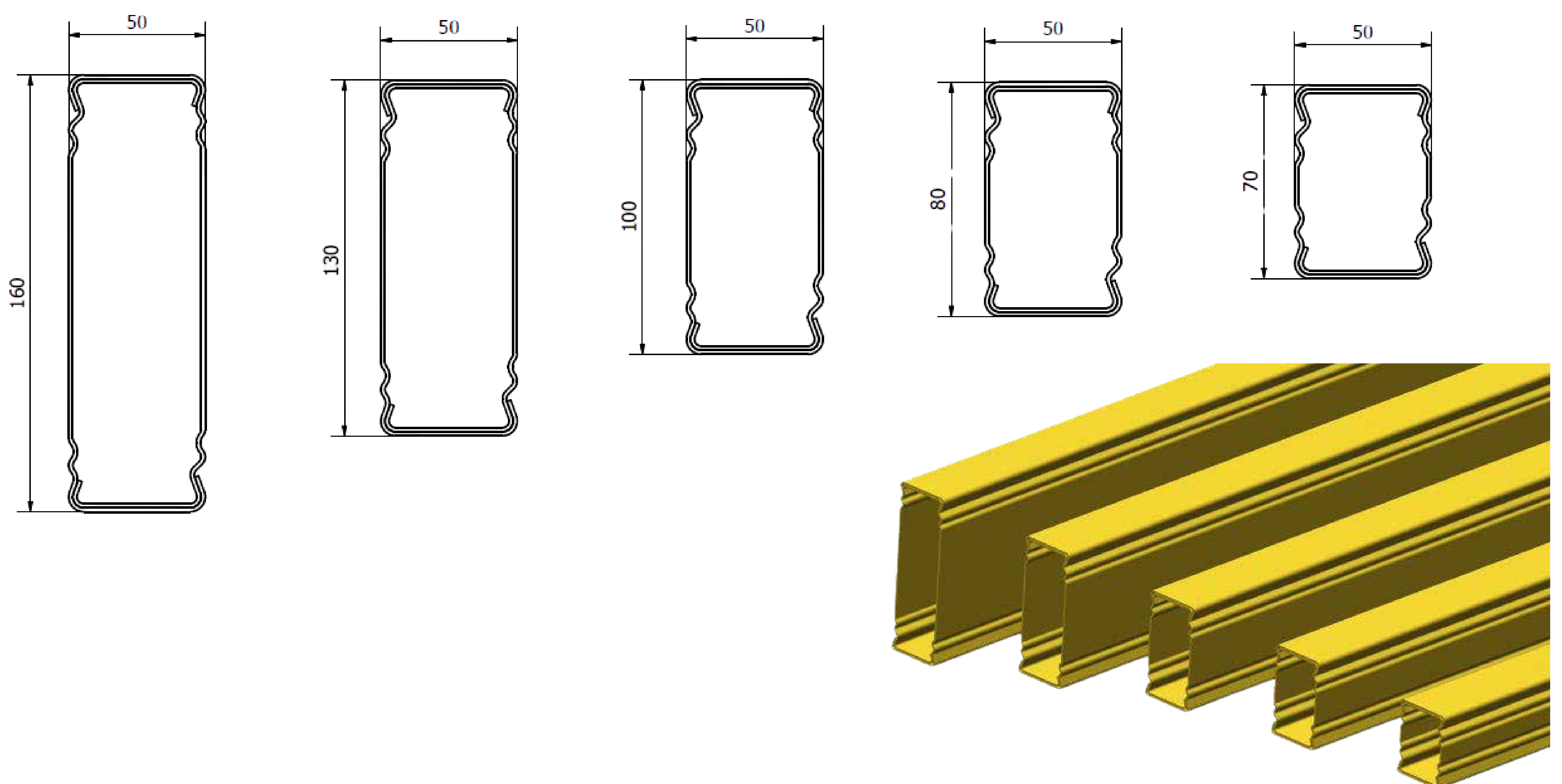


RACKING SYSTEM COMPONENTS

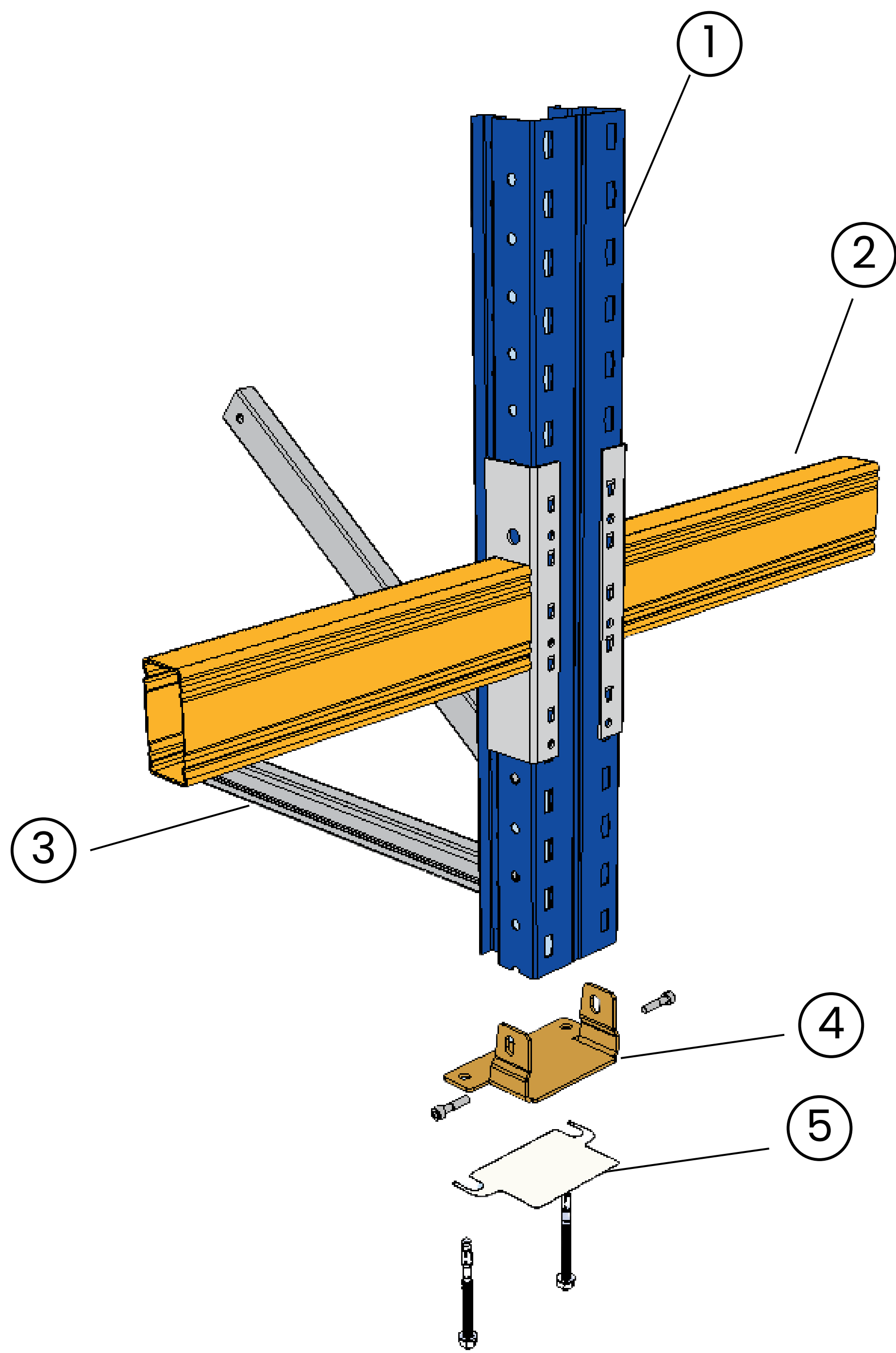
UPRIGHTS



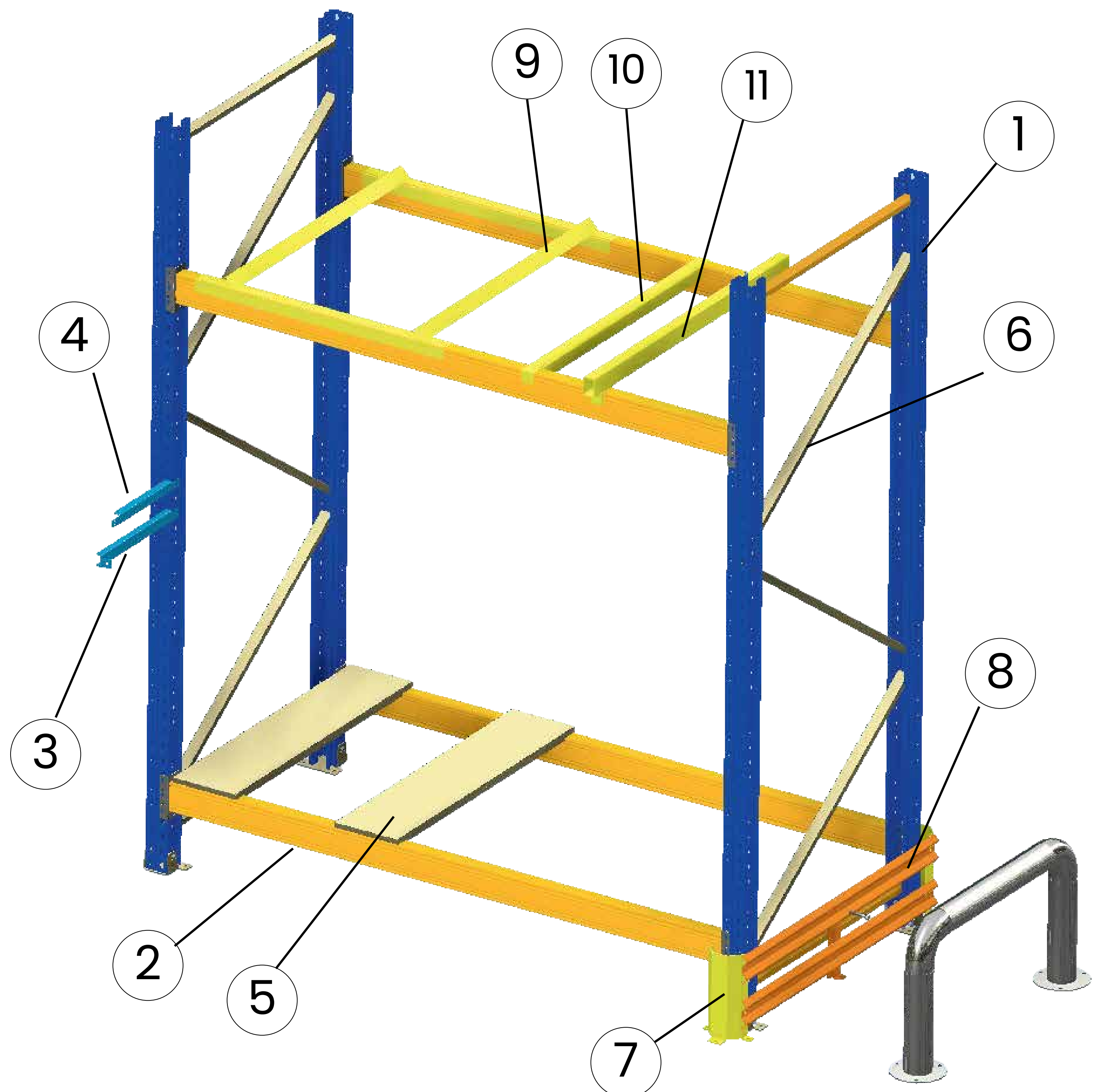
BEAMS



| | DESCRIPTION |
|---|-------------|
| 1 | UPRIGHT |
| 2 | BEAM |
| 3 | BRACING |
| 4 | FOOT PLATE |
| 5 | SHIM PLATE |



| | DESCRIPTION |
|----|---------------------------|
| 1 | FRAME |
| 2 | BEAM |
| 3 | FRAME SPACER |
| 4 | WALL SPACER |
| 5 | SHELF |
| 6 | FRAME BRACING |
| 7 | UPRIGHT PROTECTOR |
| 8 | FRAME BARRIER |
| 9 | DRUM SUPPORTS |
| 10 | PALLET SUPPORT BAR |
| 11 | RAISED PALLET SUPPORT BAR |



RACKING SYSTEMS

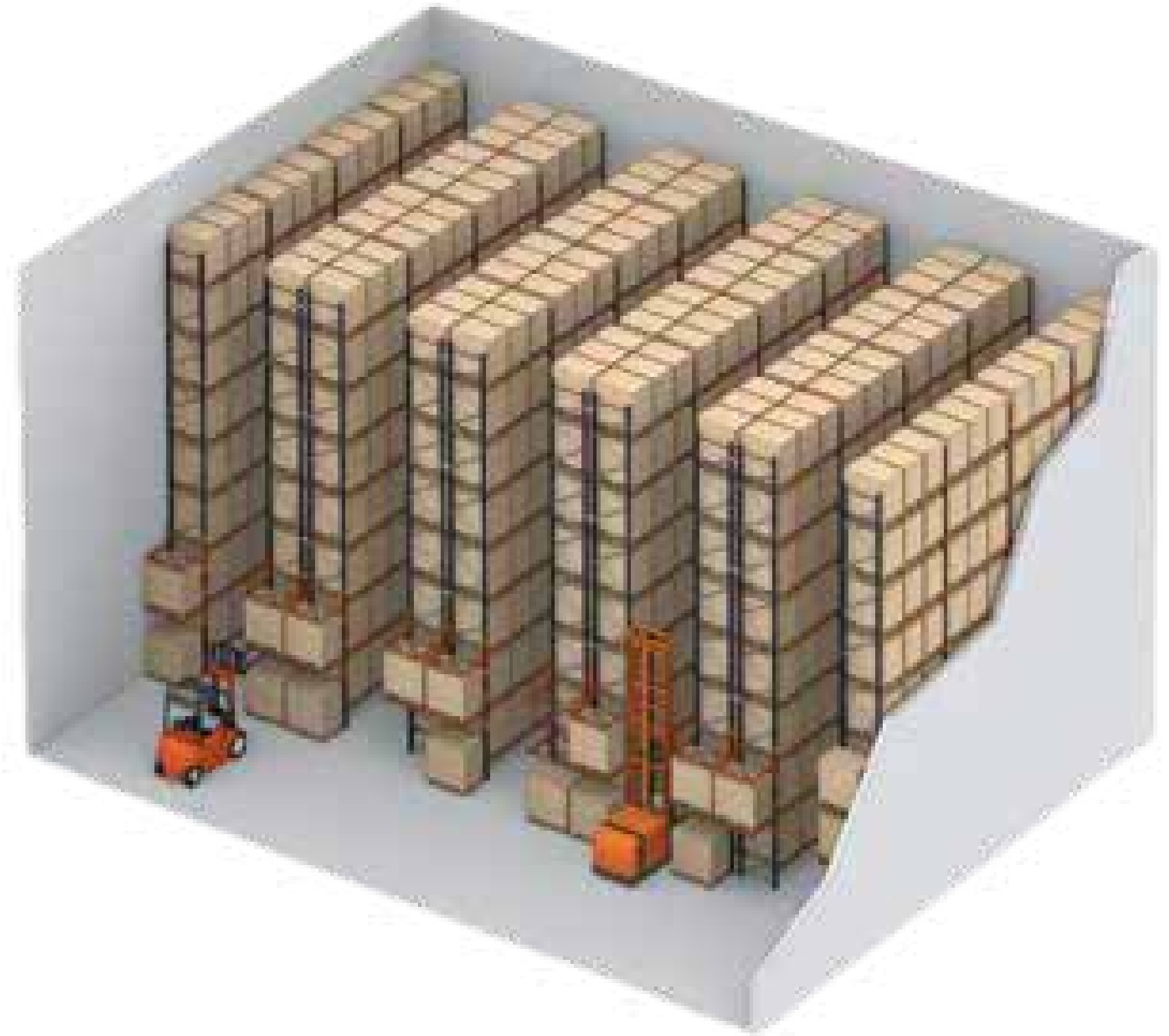


RACKING SYSTEMS

SELECTIVE PALLET RACKING SYSTEM

Core features:

- Direct access to each pallet
- Adjustable beam levels
- Suitable for different pallet sizes
- Cost-effective solution



RACKING SYSTEMS

SELECTIVE PALLET RACKING SYSTEM

Description

Selective pallet racking is the most widely used storage system, providing direct access to every pallet. It is ideal for warehouses handling a wide variety of products.

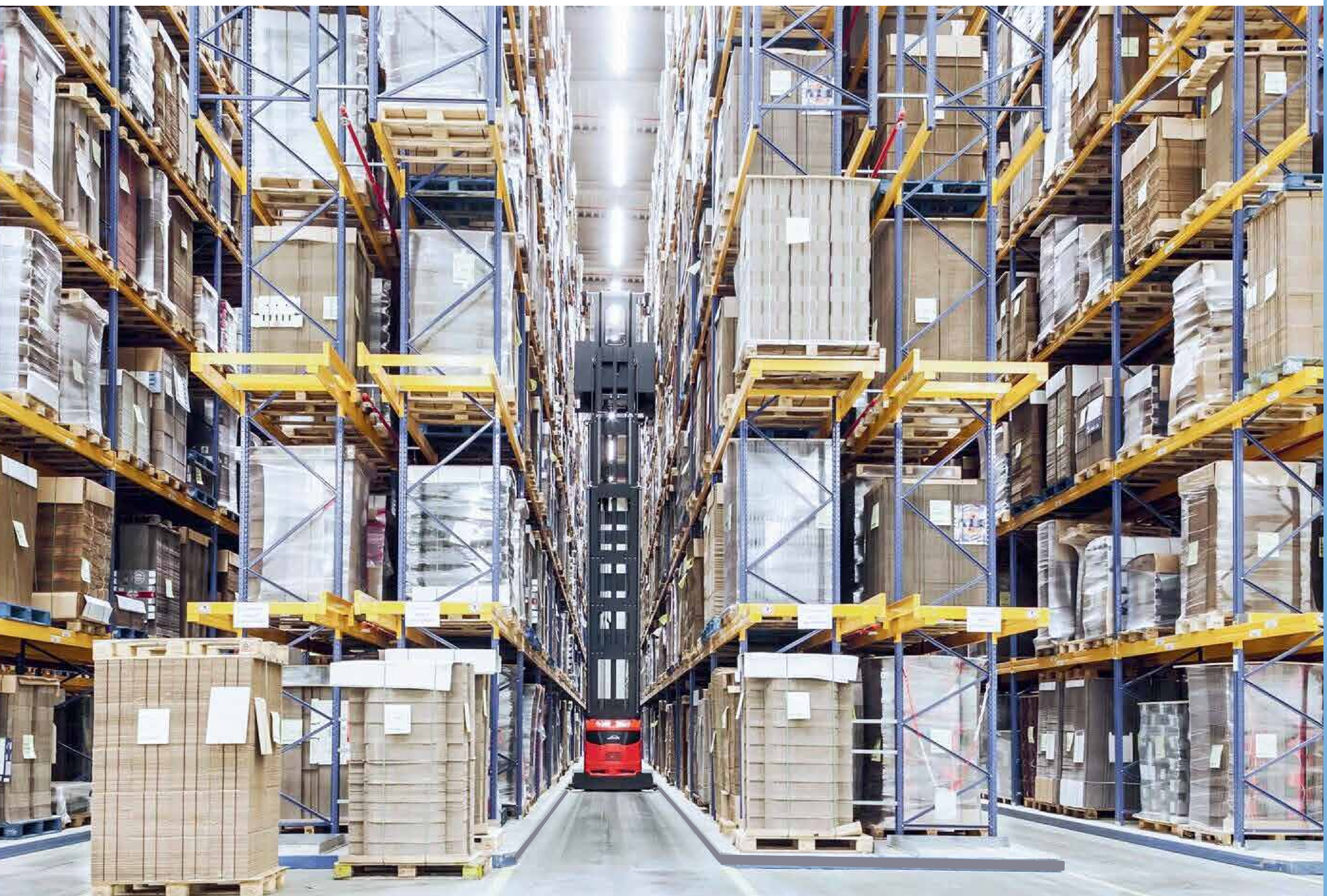


RACKING SYSTEMS

VNA RACKING SYSTEM

Core features:

- Maximizes storage space
- Reduced aisle width
- Increases warehouse capacity
- Ideal for high-rise storage



RACKING SYSTEMS

VNA RACKING SYSTEM

Description

Very Narrow Aisle (VNA) racking is designed to maximize storage capacity by minimizing aisle width. It requires specialized handling equipment.

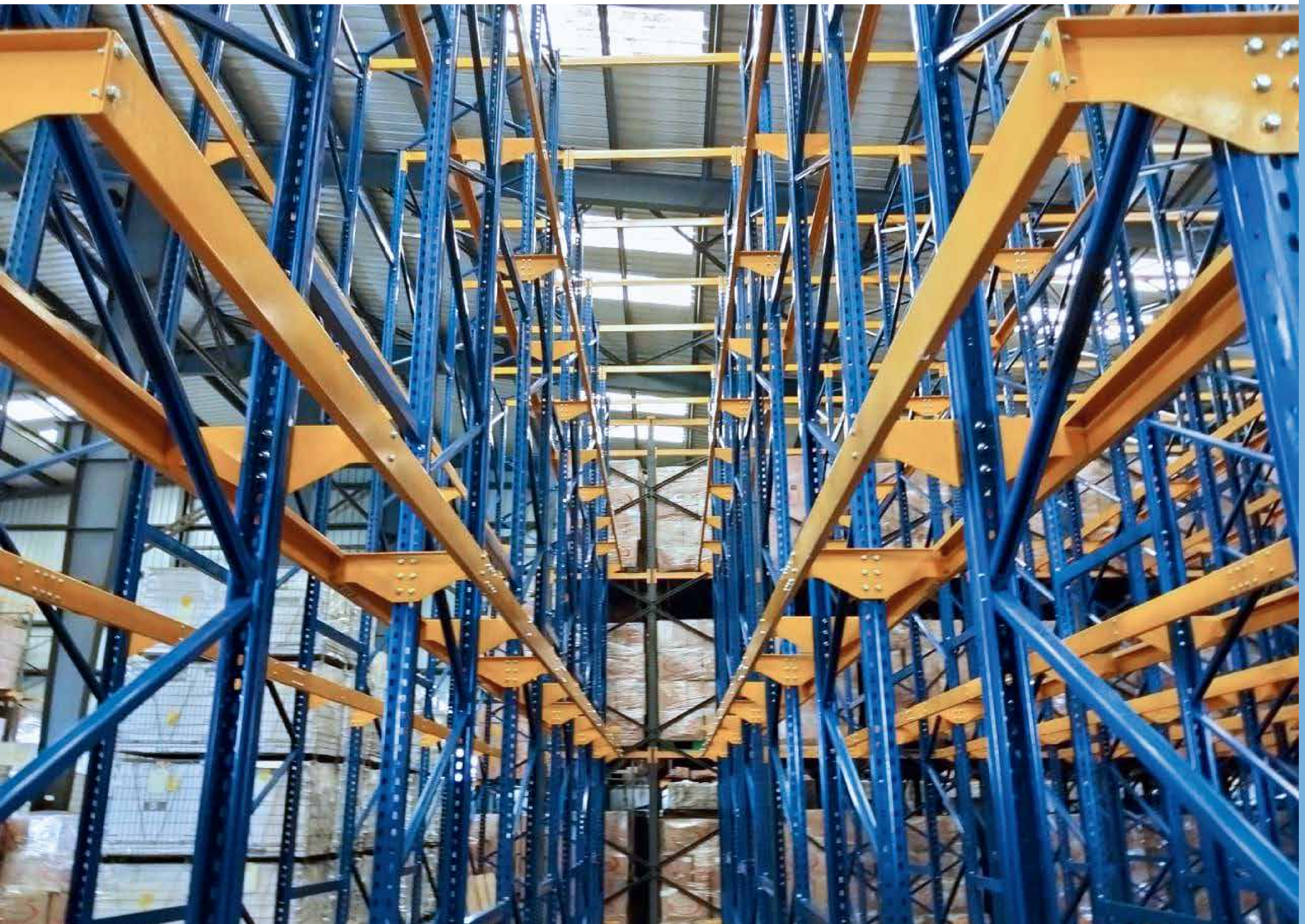


RACKING SYSTEMS

DRIVE-IN RACKING SYSTEM

Core features:

- High-density storage system
- Ideal for bulk storage
- Operates on LIFO principle
- Reduces aisle space



RACKING SYSTEMS

DRIVE-IN RACKING SYSTEM

Description

Drive-in racking is a high-density storage system where forklifts enter the racking lanes to store pallets in depth.



RACKING SYSTEMS

SATELLITE SHUTTLE SYSTEM

Core features:

- Semi-automated operation
- High storage density
- Improved safety
- Supports FIFO & LIFO

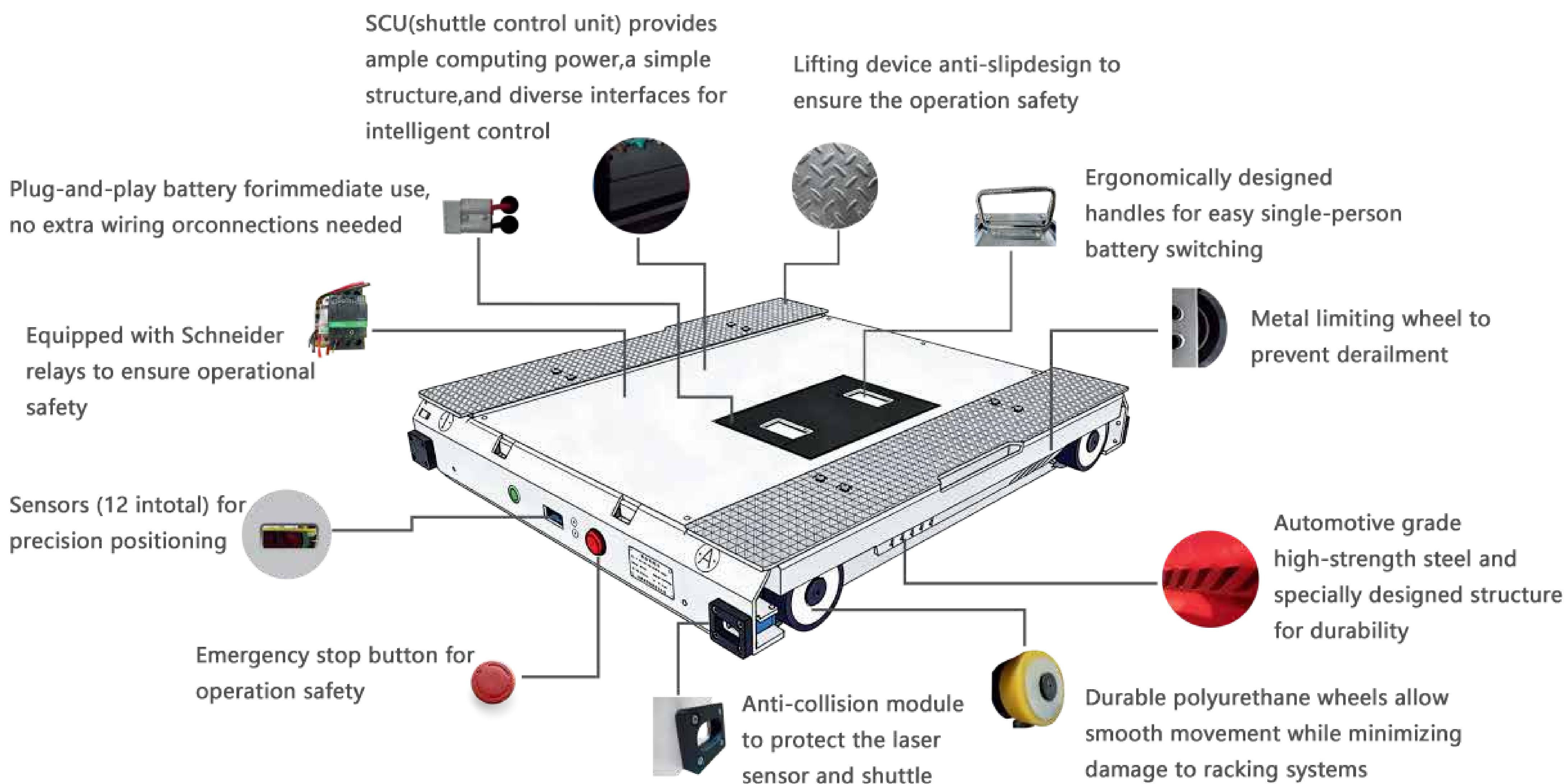


RACKING SYSTEMS

SATELLITE SHUTTLE SYSTEM

Description

Satellite shuttle system is a semi-automated solution that uses a shuttle to move pallets inside the racking lanes without forklift entry.

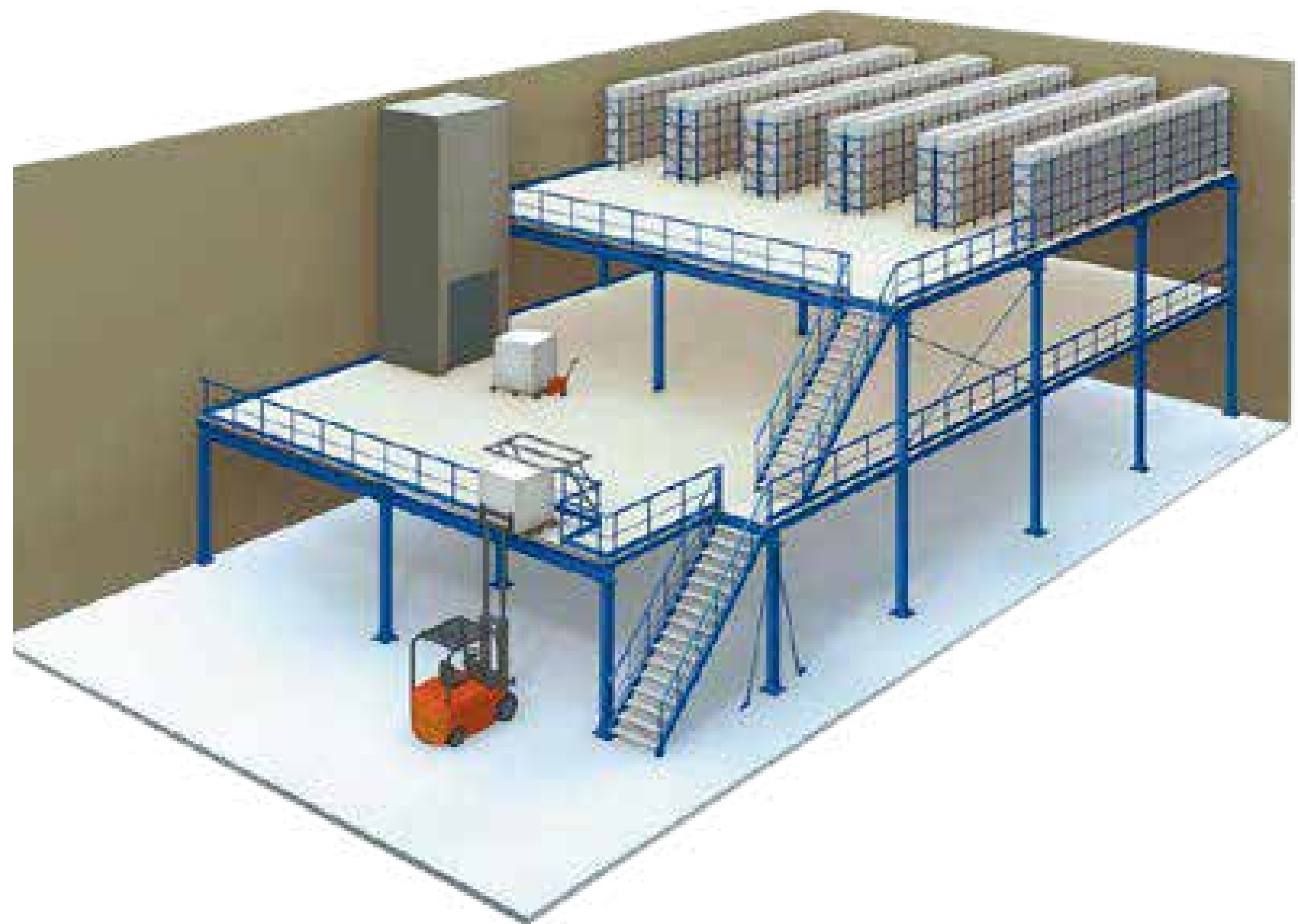


RACKING SYSTEMS

MEZZANINE

Core features:

- Maximizes vertical space
- Multi-level storage
- Customizable layout
- Fast installation



RACKING SYSTEMS

MEZZANINE

Description

Mezzanine systems add extra floor levels inside the warehouse, increasing usable storage space without expanding the building.

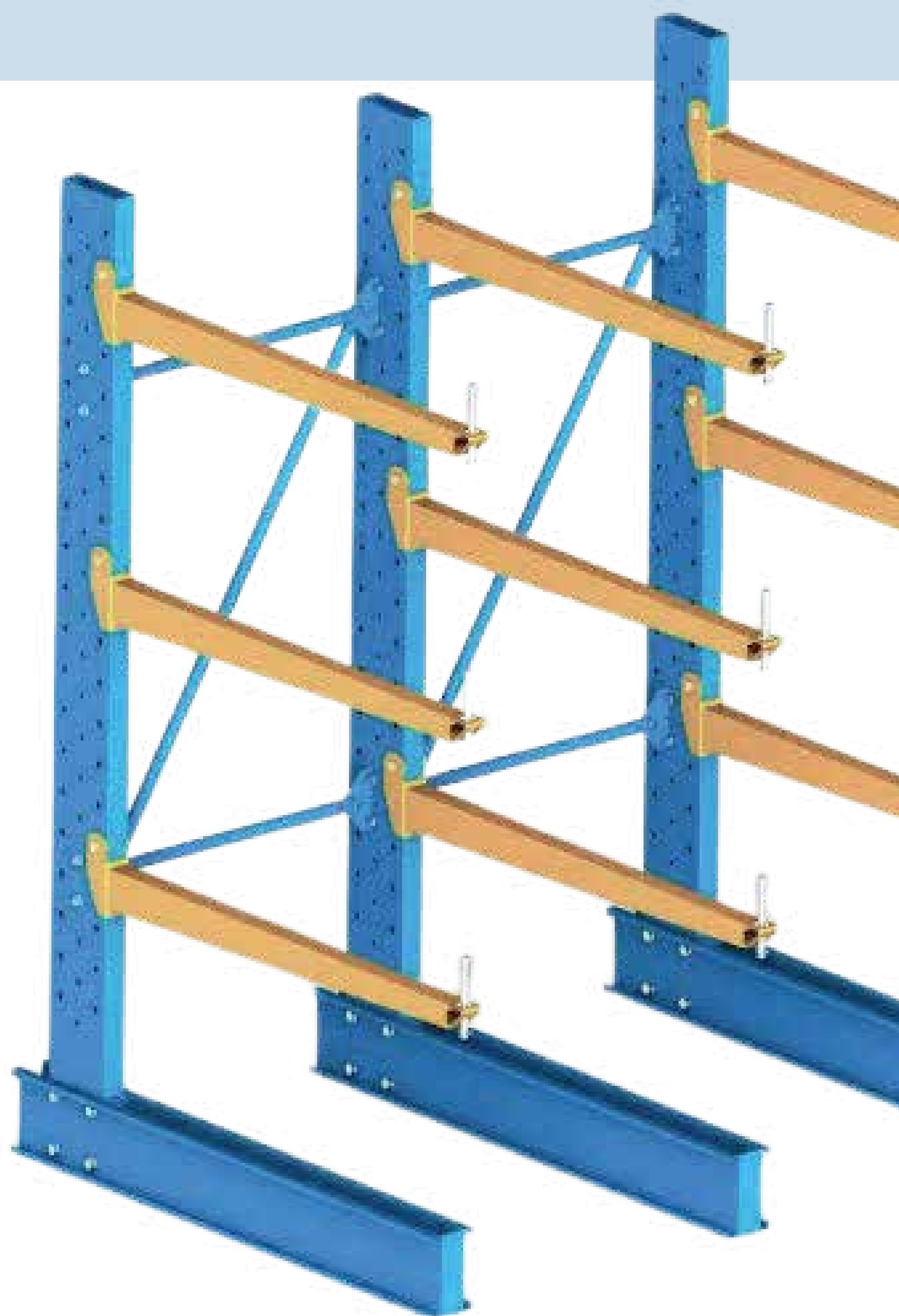


RACKING SYSTEMS

CANTILEVER RACKING SYSTEM

Core features:

- Ideal for long items
- Open front design
- Heavy load capacity
- Adjustable arms



RACKING SYSTEMS

CANTILEVER RACKING SYSTEM

Description

Cantilever racks are designed to store long and bulky items such as pipes, lumber, and steel.

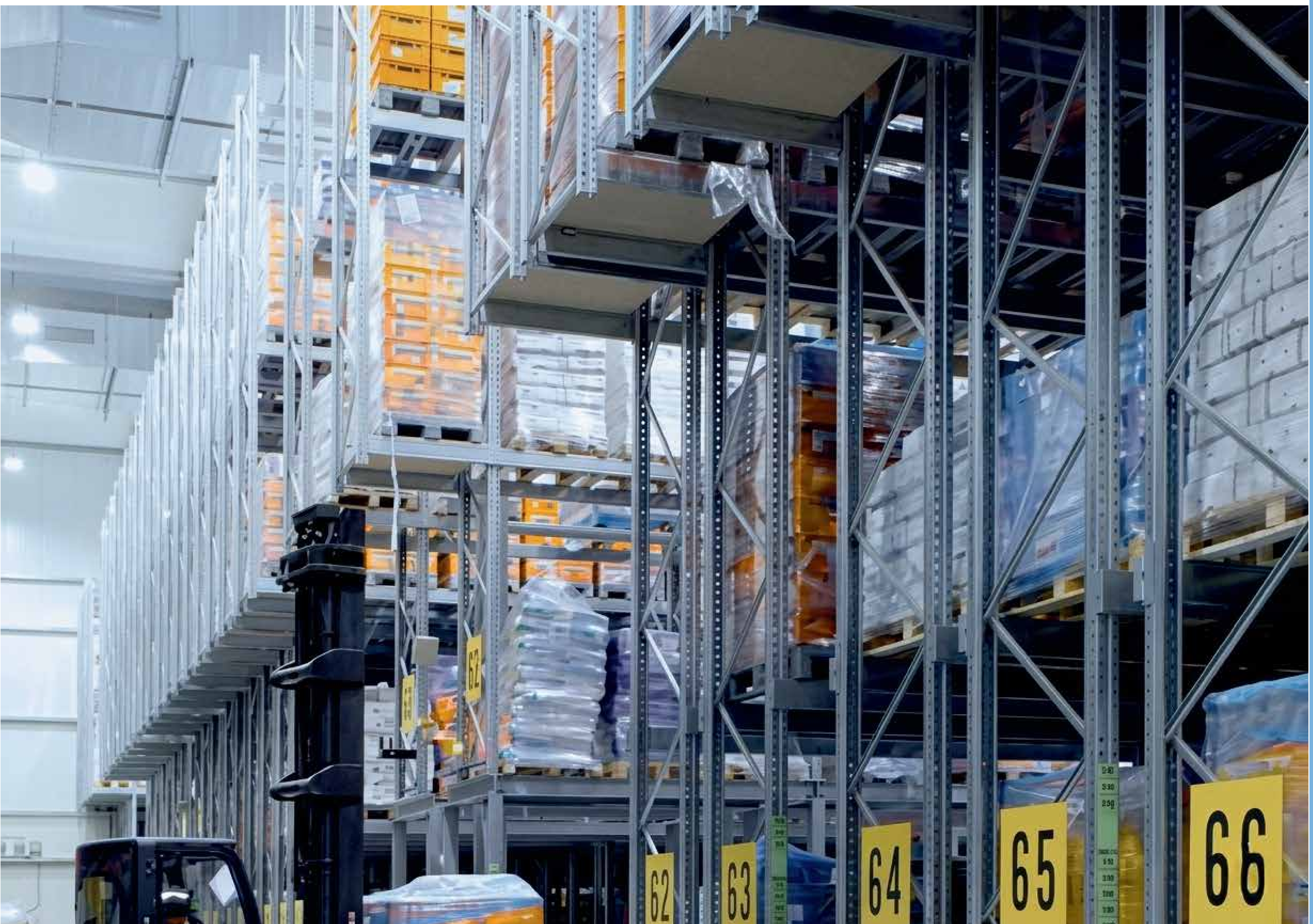
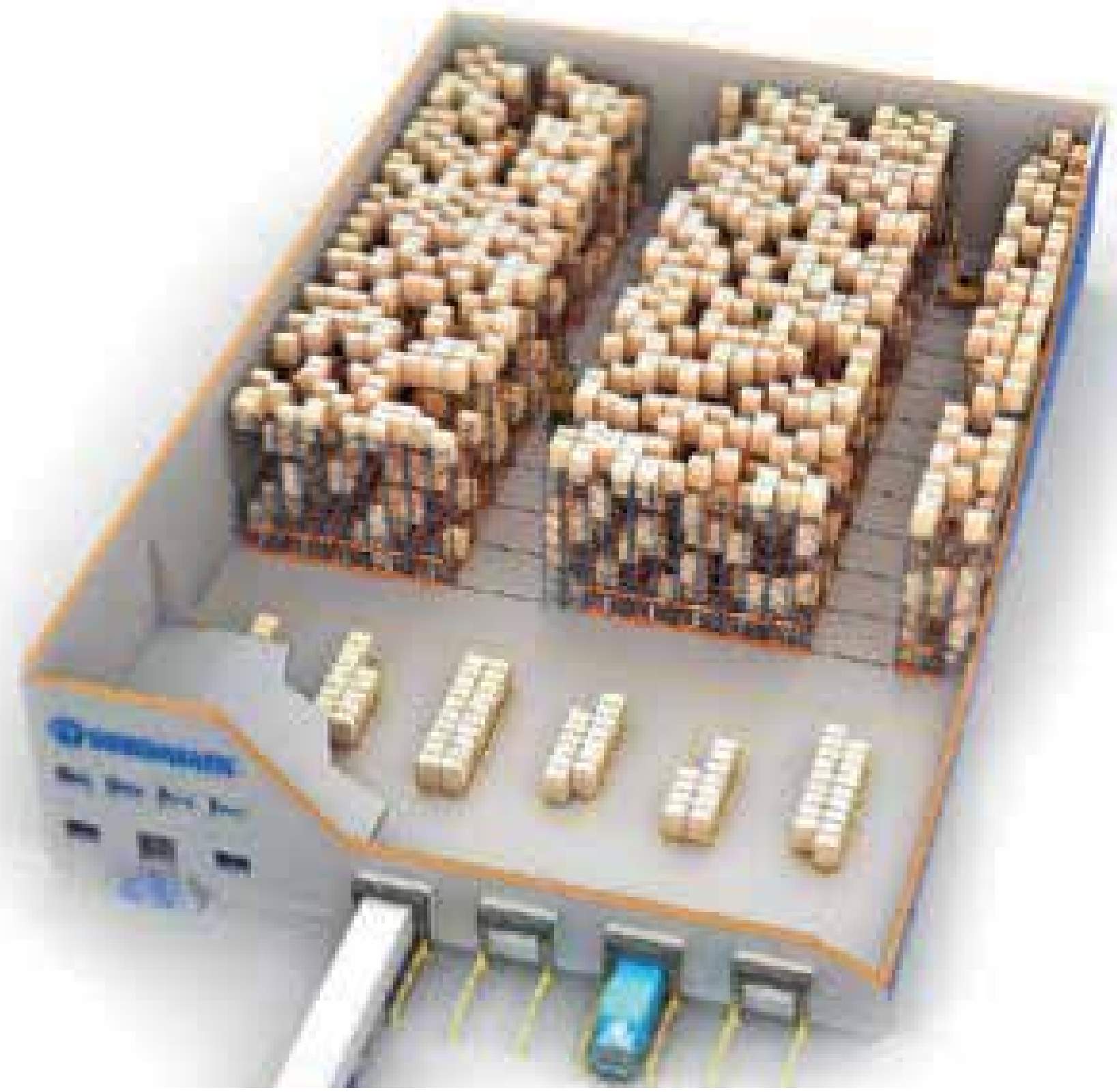


RACKING SYSTEMS

MOBILE PALLET RACKING

Core features:

- Maximum space utilization
- Fewer aisles required
- High storage density
- Controlled movement system



RACKING SYSTEMS

MOBILE PALLET RACKING

Description

Mobile pallet racking systems are mounted on movable bases to reduce aisle space and maximize storage capacity.

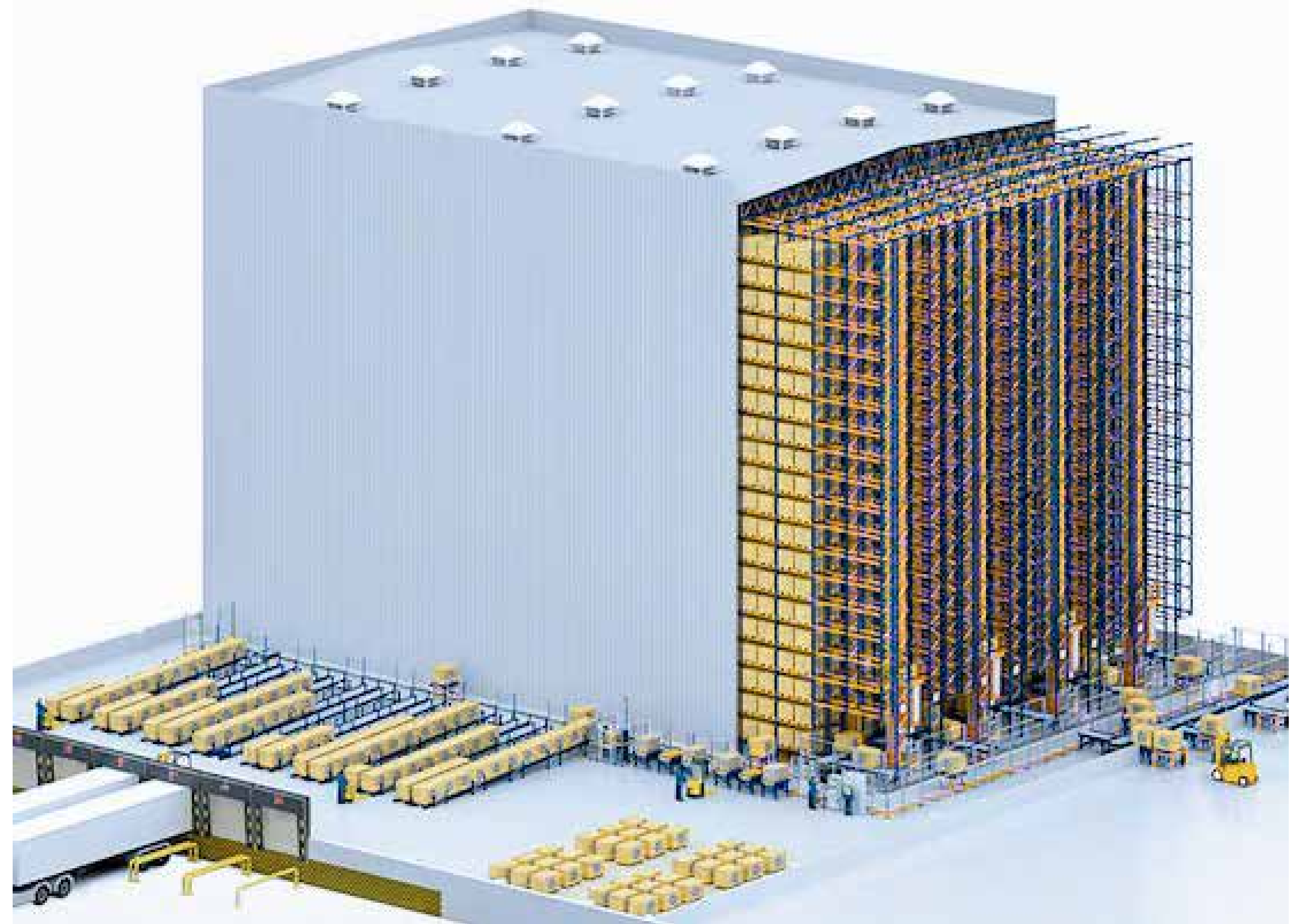


RACKING SYSTEMS

SELF SUPPORT SYSTEM

Core features:

- Rack-supported building
- Reduces construction costs
- Suitable for large-scale storage
- High structural strength



RACKING SYSTEMS

SELF SUPPORT SYSTEM

Description

Self-supporting racking systems act as the structural framework of the building, eliminating the need for a separate warehouse structure.



RACKING SYSTEMS

DOUBLE DEEP

Core features:

- Higher capacity than selective racking.
- Two-deep pallet storage.
- Reach truck compatible.
- Medium-density storage.



RACKING SYSTEMS

STEEL PALLET

Core features:

- Strong and durable steel construction.
- High load-bearing capacity.
- Resistant to moisture, fire, and pests.
- Reusable and long service life.



ADMINISTRATION

SHELVING UNITS

Core features:

- Ideal for manual handling
- Adjustable shelf levels
- Easy installation
- Versatile applications



ADMINISTRATION

SLOTTED ANGLE

Core features:

- Modular and fully adjustable system.
- Easy to assemble and expand.
- Suitable for light-duty storage.
- Cost-effective and versatile design.

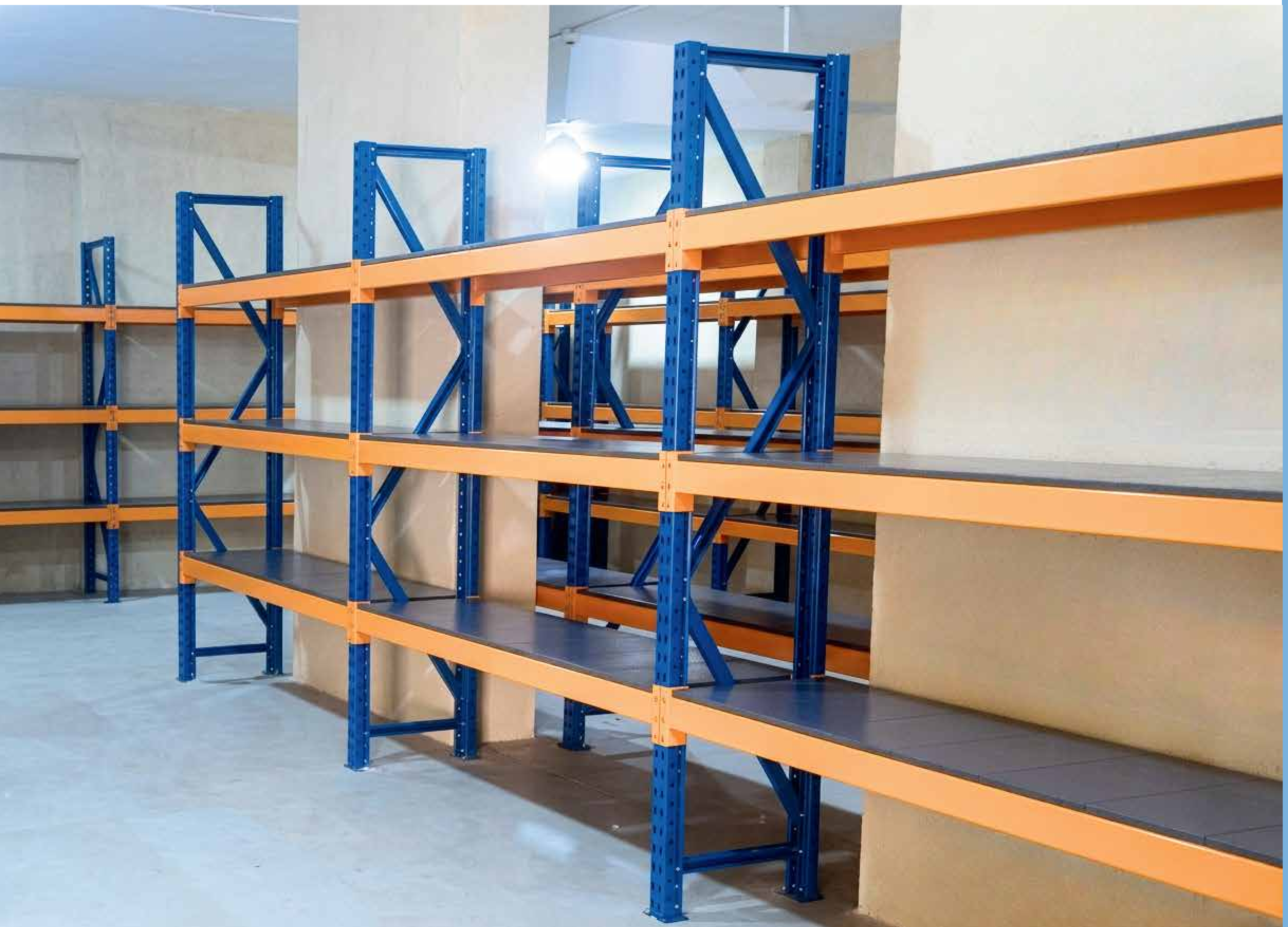


ADMINISTRATION

LONG SPAN

Core features:

- Wide shelf spans
- High load capacity
- Suitable for bulky items
- Adjustable levels



ADMINISTRATION

LOCKERS

Core features:

- Secure storage solution
- Multiple sizes and configurations
- Durable steel construction
- Optional ventilation design



SOME OF OUR PROJECTS




Midea Electric Pallet rack 



Fridal Slotted angle 



TSG Shuttle 



Harvest drive in 



FedEx Pallet rack 



Poly tech Drive-In 



Harvest double deep 



Fridal Pallet rack 



FedEx Mezzanine 



جهاز مستقبل مصر
للتنمية المستدامة
Pallet rack 



NIPPON LOGISTICS Pallet rack 



ZMS Mezzanine 



EL Sewedy Electric Pallet rack 



EIPICO Pallet rack 



المصرية الهولندية Drive in



Cairo 3A Shuttle 



Mapei Pallet rack 



ACDIMA Pallet rack 



Duravit Pallet rack 



EBM Cantilever



Misr Logistics Pallet rack 



Giza Cables Pallet rack 



Kato logistics Double deep



interpharma Pallet rack 

OUR ACCREDITED CERTIFICATES



Certificate of Registration

This is to Certify that the Environmental Management System of

HYDROMECHANICAL FOR ENGINEERING INDUSTRIES

PLOT NO. 4/5/14 - 10TH OF RAMADAN CITY - INDUSTRIAL ZONE A2- SHARQIA - EGYPT

Has been assessed and found to conform to the requirement of

ISO 14001:2015

This certificate is valid for the following scope

TRADING AND MANUFACTURING METAL FURNITURE, METAL FORMING AND HYDRAULIC JACKS & IMPORT AND EXPORT

Certificate No.: 241209022002
 Initial Registration Date: 09.12.2024
 Date of Expiry* : 08.12.2027
 1st Surveillance Due : 09.11.2025
 Issuance Date: 09.12.2024
 2nd Surveillance Due : 09.11.2026

Director: *Wahab M.*

Al-Noor For Certification, Training & Import
 Ph& Fax: +20663262324, Mob: +201221163570 - +20109484221
 email: info@alnoor-eg.com website: www.alnoor-eg.com
 Building No. 34, 2nd Floor, Elshahid Tayar Mustafa Mohamed Yousef, Noman Street - Port Said - Egypt

Certificate of Registration

This is to Certify that the Quality Management System of

HYDROMECHANICAL FOR ENGINEERING INDUSTRIES

PLOT NO. 4/5/14 - 10TH OF RAMADAN CITY - INDUSTRIAL ZONE A2- SHARQIA - EGYPT

Has been assessed and found to conform to the requirement of

ISO 9001:2015

This certificate is valid for the following scope

TRADING AND MANUFACTURING METAL FURNITURE, METAL FORMING AND HYDRAULIC JACKS & IMPORT AND EXPORT

Certificate No.: 241209012002
 Initial Registration Date: 09.12.2024
 Date of Expiry* : 08.12.2027
 1st Surveillance Due : 09.11.2025
 Issuance Date: 09.12.2024
 2nd Surveillance Due : 09.11.2026

Director: *Wahab M.*

Al-Noor For Certification, Training & Import
 Ph& Fax: +20663262324, Mob: +201221163570 - +20109484221
 email: info@alnoor-eg.com website: www.alnoor-eg.com
 Building No. 34, 2nd Floor, Elshahid Tayar Mustafa Mohamed Yousef, Noman Street - Port Said - Egypt

Certificate of Registration

This is to Certify that the Occupational Health & Safety Management System of

HYDROMECHANICAL FOR ENGINEERING INDUSTRIES

PLOT NO. 4/5/14 - 10TH OF RAMADAN CITY - INDUSTRIAL ZONE A2- SHARQIA - EGYPT

Has been assessed and found to conform to the requirement of

ISO 45001:2018

This certificate is valid for the following scope

TRADING AND MANUFACTURING METAL FURNITURE, METAL FORMING AND HYDRAULIC JACKS & IMPORT AND EXPORT

Certificate No.: 241209072002
 Initial Registration Date: 09.12.2024
 Date of Expiry* : 08.12.2027
 1st Surveillance Due : 09.11.2025
 Issuance Date: 09.12.2024
 2nd Surveillance Due : 09.11.2026

Director: *Wahab M.*

Al-Noor For Certification, Training & Import
 Ph& Fax: +20663262324, Mob: +201221163570 - +20109484221
 email: info@alnoor-eg.com website: www.alnoor-eg.com
 Building No. 34, 2nd Floor, Elshahid Tayar Mustafa Mohamed Yousef, Noman Street - Port Said - Egypt

HYDRO MECHANICAL SHELVING & RACKING SYSTEMS

☎ 0100 8877 684

🌐 www.hydro-ei.com

✉ info@hydro-ei.com

📍 Plot 4-5-14 industrial zone A2 10th Ramadan city

